

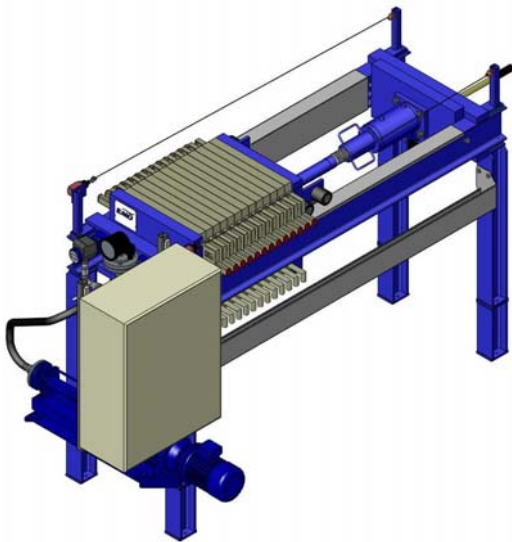
## PLATE FILTER PRESS - TYPE FPM

### A -Plate Filter Press with Manual Plate Shifting

#### System : FPM

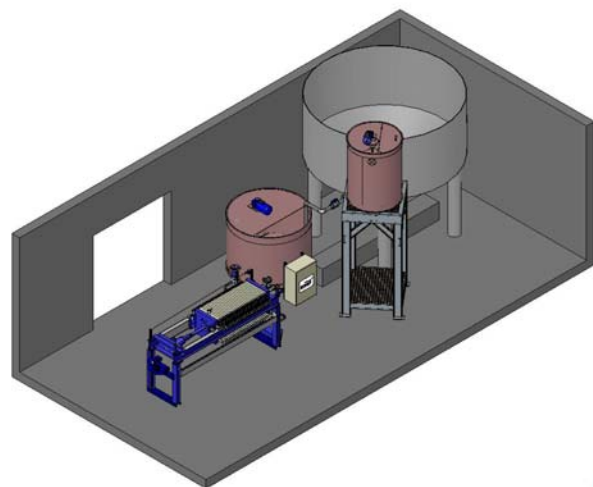
Suitable for small sludge volume to treat...

Three types : FPM 500, FPM 630, FPM 800.



### Selection tables

Range	Cake thickness	Capacity
<b>FPM 500</b> From 35 to 155 liters From 10 to 35 plates	20 mm	35 – 115 liters
	25 mm	40 – 130 liters
	30 mm	45 – 145 liters
	32 mm	42 – 145 liters
	35mm	50 – 155 liters
<b>FPM 630</b> From 190 to 580 liters Up to 70 plates installés	20 mm	190 – 420 liters
	25 mm	210 – 465 liters
	30 mm	240 – 530 liters
	32 mm	250 – 550 liters
	35 mm	270 – 580 liters
<b>FPM 800</b> From 570 to 1300 liters Up to 90 plates	20 mm	570 – 930 liters
	25 mm	655 – 1060 liters
	30 mm	730 – 1180 liters
	32 mm	750 - 1240 liters
	35 mm	795 – 1300 liters



# PLATE FILTER PRESS - TYPE FPAC

## B - Plate Filter Press with Semiautomatic Plate Shifting System : FPAC

Plate Filter Press with Conventional Plate Shifting System - Filter cake outlet : plate by plate using a trolley.



### Selection tables

Range	Cake thickness	Capacity
<b>FPAC 630</b> From 190 to 580 liters Up to 70 plates	20 mm	190-420
	25 mm	220-465
	30 mm	250-540
	32 mm	260-550
	35mm	265-580
<b>FPAC 800</b> From 600 to 1600 liters Up to 90 plates	20 mm	600-1130
	25 mm	700-1300
	30 mm	770-1450
	32 mm	810-1500
	35 mm	850-1600
<b>FPAC 1000</b> From 1100 to 3100 liters Up to 110 plates	20 mm	1100-2150
	25 mm	1250-2500
	30 mm	1420-2820
	32 mm	1480-2930
	35 mm	1575-3100
<b>FPAC 1200</b> From 1900 to 4870 litres Up to 120 plates	20 mm	1915-3200
	25 mm	2310-3835
	30 mm	2635-4360
	32 mm	2740-4565
	35mm	2930-4880
<b>FPAC 1500</b> From 2800 to 7880 liters Up to 130 plates	20 mm	2810-5230
	25 mm	3345-6235
	30 mm	3835-7110
	32 mm	4010-7420
	35 mm	4245-7890

